



X Category 6A

X Grey/White

X Device Protection Adapter

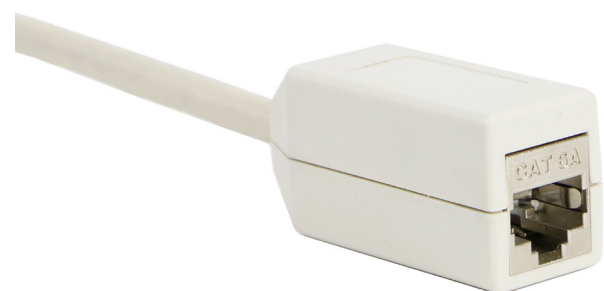
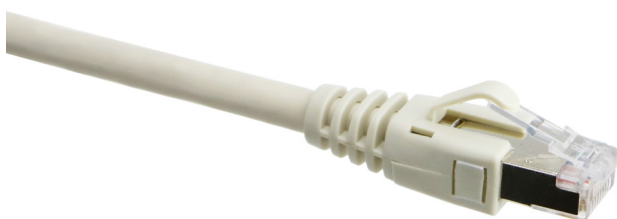
X 25 Year System Warranty

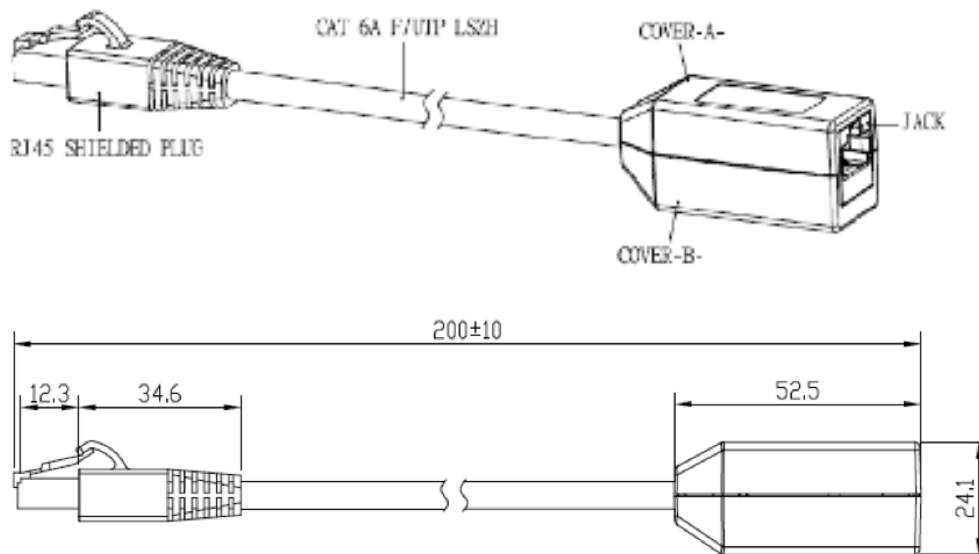
## Features

- Category 6A
- Grey/White
- Device Protection Adapter
- 25 Year System Warranty

## Product Overview

The Excel Device Protection Adapter (DPA) offers users and network administrators an easy way to protect expensive and mobile IT equipment with LAN access from damage. If the mobile IT equipment is moved in a bigger radius than the connected RJ45 cable allows, the DPA disconnects the connection when a certain pull-out force is reached. This prevents damage of the expensive boards of the IT equipment such as damaged contacts or complete loss of RJ45 jacks for the network connection. Therefore, an expensive repair is a thing of the past.





## Specification Table

Item	Value
Transmission Performance	Meets all the channel requirements specified for ISO 11801 Class EA
Electrical Insulation Resistance	500 MΩ @100 V d.c
Dielectric Performance	1000V d.c for 1 minute
Insertions	750 Cycles Minimum
Pull force of Jack	20N +15/-10N
Jack Assembly Material	Fully Screened Zinc Alloy
Contacts	Phosphor Bronze Alloy with 50 micro-inch Gold plating
Cable	Category 6A F/UTP with LS0H outer sheath.
Cover Material (Plug and Jack)	High impact flame retardant plastic
Plug Assembly	Polycarbonate body with the contacts being plated with 50 micro-inches of hard Gold

## Part Number

Part Number	Description
100-925	Excel Category 6A Device Protection Adapter

## System Warranty

The Excel System Warranty provides a 25-year product and applications assurance of compliance with the industry performance standard appropriate to the class of cabling installed. The warranty may be applied for by an accredited Excel Partner who has designed, supplied and installed the said system.



Excel is a world-class premium performing end-to-end infrastructure solution - designed, manufactured, supported and delivered - without compromise.

Contact us at [sales@excel-networking.com](mailto:sales@excel-networking.com)

